

Drukreducceerventiel 2x binnendraad type OR

PRESSURE REDUCING VALVES WITH DIAPHRAGM PN 40 WITH COMPENSATION CHAMBER AND STAINLESS STEEL SEAT

CONNECTIONS: FEMALE-FEMALE DISMANTLING FITTINGS MALE



Type 1309 1/2" ÷ 2"



Type 1309 2"1/2 ÷ 4"

DESCRIPTION

The pressure reducing valve with diaphragm PN 40 with compensation chamber is an automatic valve that reduces and stabilizes the pressure of a fluid in a water distribution conduit according to a preset value. The use of this hydraulic device is required whenever the maximum possible pressure reaches or exceeds the maximum allowable pressure of the system at any point in the water supply line. The pressure reducing valve is also required necessary when the pipeline is connected to equipment and devices operating at pressure levels lower than the pressure of water supply. The enhanced mechanical strength of the shell and its internal components renders this valve particularly suitable for sanitary installations for water distribution outside buildings (EN 805), where the water pressure in the water mains may reach values as high as 40 bar. Further, the compensated seat offsets the influence that variations in upstream pressure may have on the downstream pressure. The flexible diaphragm in EPDM rubber is reinforced with high mechanical strength polyamide textile and in conjunction with the anti-stick-slip O-ring made of peroxide-cured EPDM rubber, they allow a precise and long-lasting pressure regulation. The internal finish of the valve's body and the absence of moving parts allow to regulate the flow, thus containing vibrations and head loss. The diaphragm-type pressure reducing valve with compensation chamber PN 40 is used in air conditioning plants, sanitary installations for water supply, irrigation systems, compressed air (not oil mist) distribution systems, sanitary installations for water supply within buildings, according to EN 806-2, and for fire suppression piping. (It should nevertheless be borne in mind that local government standards for fire protection must always be observed.) This product adheres to the standards set forth by the European health authorities for the transport of alimentary fluids and potable water.

ATTENTION: THE PRESSURE GAUGE CONNECTED TO THE PRESSURE REDUCING VALVE INDICATES THE ALREADY-REDUCED PRESSURE (Ps) OF THE OUTLET LIQUID FLOW.

Drukreduceerventiel 2x binnendraad type OR

TECHNICAL FEATURES

Pressure:

maximum allowable pressure (PN)	40 bar
outlet settings (Ps)	from 1 to 7 bar
ps value set during testing	3 bar
outlet Ps set tolerance on varying inlet pressure	± 5%

Temperature:

maximum temperature (TS)	0° C (excluding ice) ÷ 80° C
--------------------------	------------------------------

Compatible fluids:

water	glycol 50%
glycolate solutions	
compressed air	

Threading:

pipeline connection	threads according to ISO 228/1
gauge connection	threads according to EN 10226 – Rp1/4"
Tests according to:	EN 1567

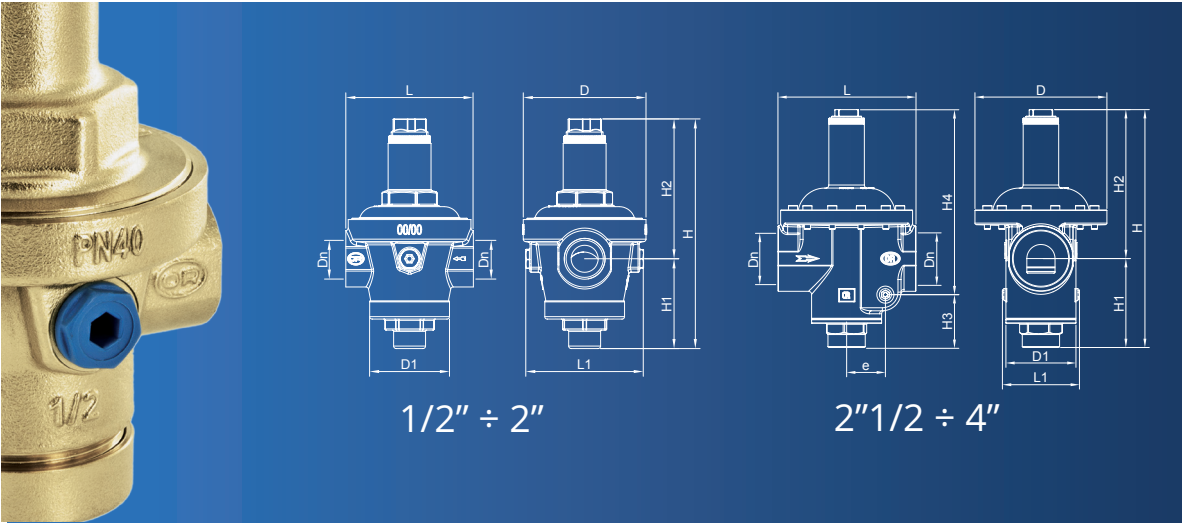
DESIGN

Body	brass EN12165-CW617N
1/2" ÷ 2"	cast bronze EN1982-CC499K
2"1/2 ÷ 4"	brass EN12165-CW617N
Bonnet	cast bronze EN1982-CC499K
1/2" ÷ 2"	brass EN12165-CW617N and EN12164-
2"1/2 ÷ 4"	CW614N
Other brass components	brass EN12164-CW614N, brass EN12165-
1/2" ÷ 2"	CW617N and CW602N brass EN12164-
2"1/2 ÷ 3"	CW614N and EN1982-CC753S
4"	cast bronze EN1982-CC499K
Other bronze components	EPDM rubber reinforced with polyester fiber
2"1/2 ÷ 4"	compressed fiber
Diaphragm	NBR rubber
Gaskets for static o-ring washers	peroxide-cured EPDM rubber
Seat gasket	galvanized steel EN 10270-1
Gaskets for dynamic o-ring washers	stainless steel EN 10088-1.4305 (AISI 303)
Spring	
Seat	

PRODUCT CODES

1309-000012 female/female 1/2"
1309-000034 female/female 3/4"
1309-000100 female/female 1"
1309-000114 female/female 1" 1/4"
1309-000112 female/female 1" 1/2"
1309-000200 female/female 2"
female/female 2" 1/2"
female/female 3"
female/female 4"

Drukreducerventiel 2x binnendraad type OR



FEATURES

1309	Dn	D	D1	L	L1	H	H1	H2	H3	H4	e
	1/2"	Ø72,5	Ø44	76	67	152,5	65	87,5	\	\	\
	3/4"	Ø89	Ø52	91	85	191,5	70,5	121	\	\	\
	1"	Ø100	Ø65	104	96	187	73	114	\	\	\
	1\"1/4	Ø123	Ø72	137	92	229,5	82,5	147	\	\	\
	1\"1/2	Ø153	Ø80	170	109	258	93	165	\	\	\
	2"	Ø168	Ø90	183,5	119	276	92	184	\	\	\
	2\"1/2	Ø179	Ø93	206	104	339	122	217	77	262	43
	3"	Ø191	Ø102,5	203	129,5	374,5	141,5	233	91,5	283	30
	4"	Ø260	Ø139	274	153	482	176,5	305,5	105	377	77

PRESSURE REDUCING VALVE 0204 1/2" - 4"

